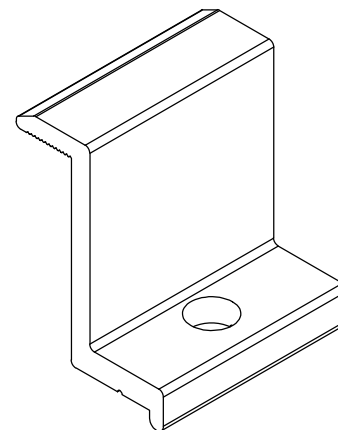
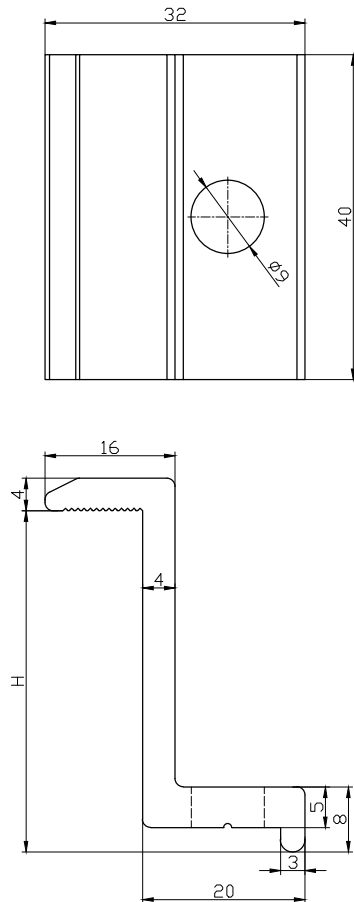


WORKING COPY
THROWN AWAY AFTER USE

This document is Universe Solar and shall not be used for any unauthorized purpose.



No	Changes and/or note no.-nr	Date	Change By
B			



项目	零件名称	零件编号	H(mm)
01	31边压	UI-EC-31	31
02	33边压	UI-EC-33	33
03	35边压	UI-EC-35	35
04	38边压	UI-EC-38	38
05	40边压	UI-EC-40	40
06	42边压	UI-EC-42	42
07	45边压	UI-EC-45	45
08	46边压	UI-EC-46	46
09	50边压	UI-EC-50	50

Note:
1. Aluminum grade:Al6005-T5
2. All dimensions are in mm unless otherwise noted.

Scale	Drawn by	Project	Weight	kg	Volume	l
N.S.T						
Date	App by		Code	Sheet 1 of 1		
2012-10-15			Draw. no.			Rev. A
Universe Solar Technology Co.,Ltd.						