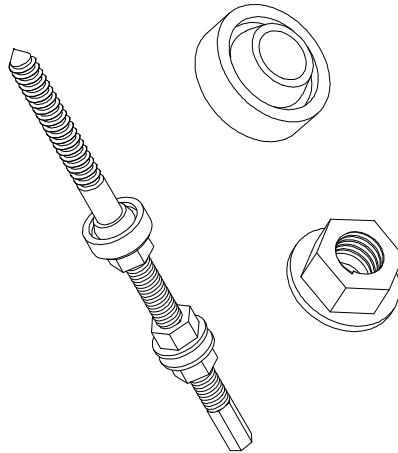
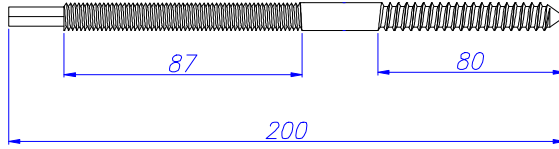


WORKING COPY
THROWN AWAY AFTER USE



This document is Universe Solar and shall not without Universe Solar written permission be copied, imported to third party or used for any unauthorized purpose.

No.	B
Changes and/or note no.-rev.	
Date	
Change By	



Scale	N.S.T	Drawn By	
Proj.	11011	App. By	
Universe Solar Technology Co., Ltd.		Part No.	hanger bolt
		Code	UI-H01
		Drawn no.	
		Weight	
		Qty	1
		Volume	
		Sheet 1 of 1	
		Rev	A