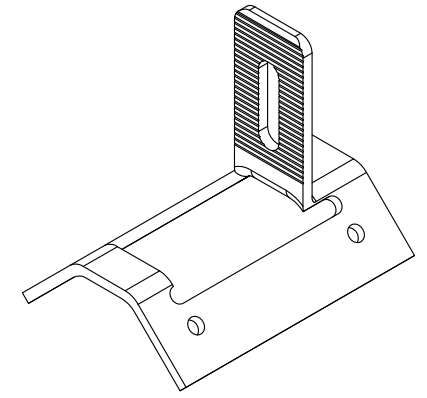
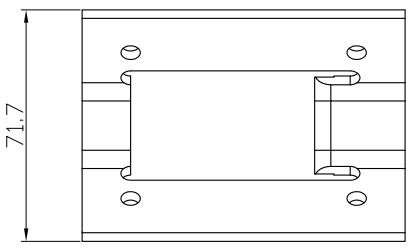
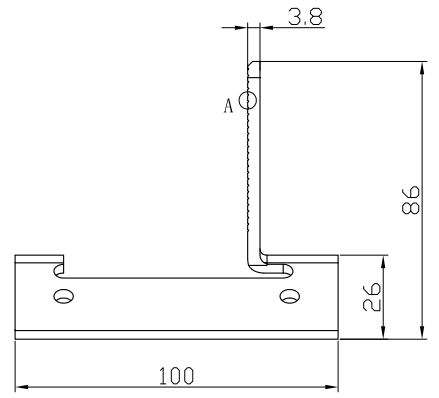
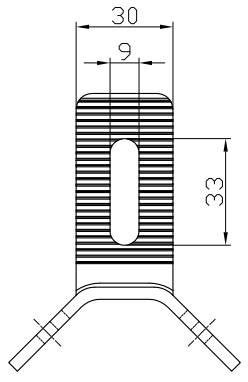
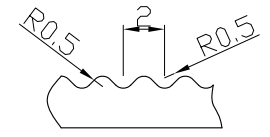


WORKING COPY
THROWN AWAY AFTER USE

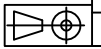


3D示意图



局部视图 A
比例 8:1

This document is Universe Solar and shall not be copied, reproduced, or used for any unauthorized purpose.



No	Changes and/or note no.-nr	Date	Change By
B			

Scale N.S.T	Drawn by	Project UI-SS-02	Weight kg	Volume l
Date 2012-05-03	App by		Code	Sheet 1 of 1
Universe Solar Technology Co.,Ltd.			Draw. no.	Rev. A