

QUICK INSTALLATION GUIDE

Automatic Solution for EPS function

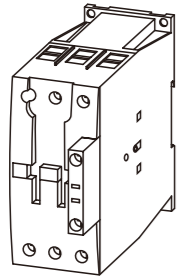


Introduction

The X-hybrid E inverter supports both on-grid and off-grid modes. When the grid is on, the inverter will have output through the AC output, and it will have output through the EPS output when the grid is off. User can realize this function automatically with an external contactor installed. Following is an assistant guide for installation, please note all operations must apply to local country relevant regulations.

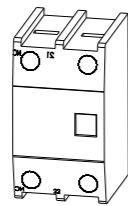
Components

contactor
EATON_DILM40C



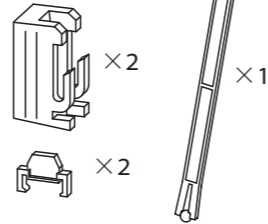
×2

auxiliary contact module
EATON_DILM150C-XHI11



×2

accessories
EATON_DILM65-XMV
XTCEXMLD



Cables

size	application	colour (reference Figure-2)
6 AWG	Grid input / Load output	bold red/black cable
10 / 12 AWG	EPS input / EPS output	fine red/black cable
12 AWG	Coil cable	orange/blue cable

EPS wiring diagram

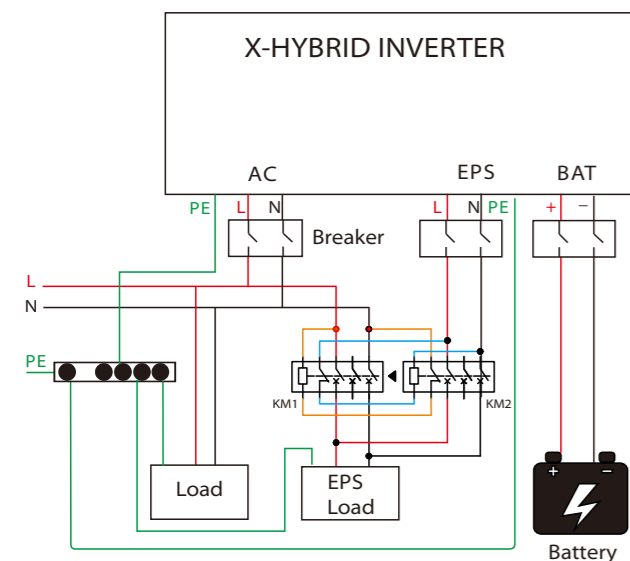


Figure-1 wiring diagram

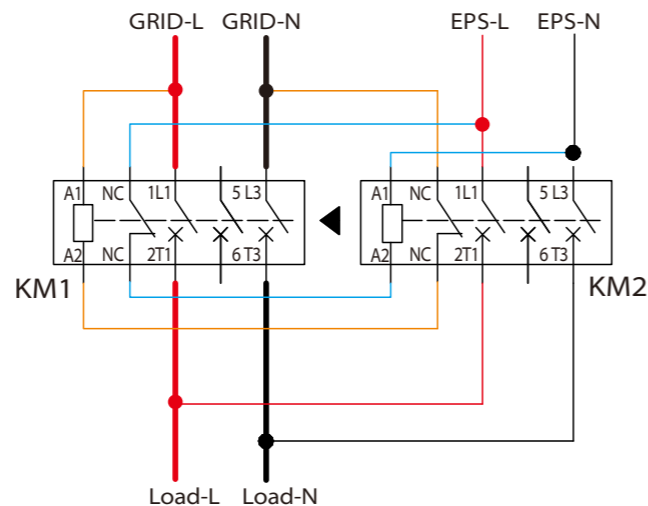
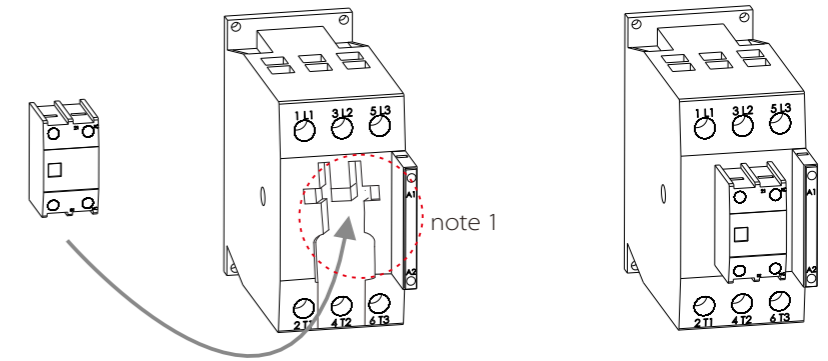


Figure-2 contactor diagram

Connection

Step1: Install auxiliary contact to contactor.

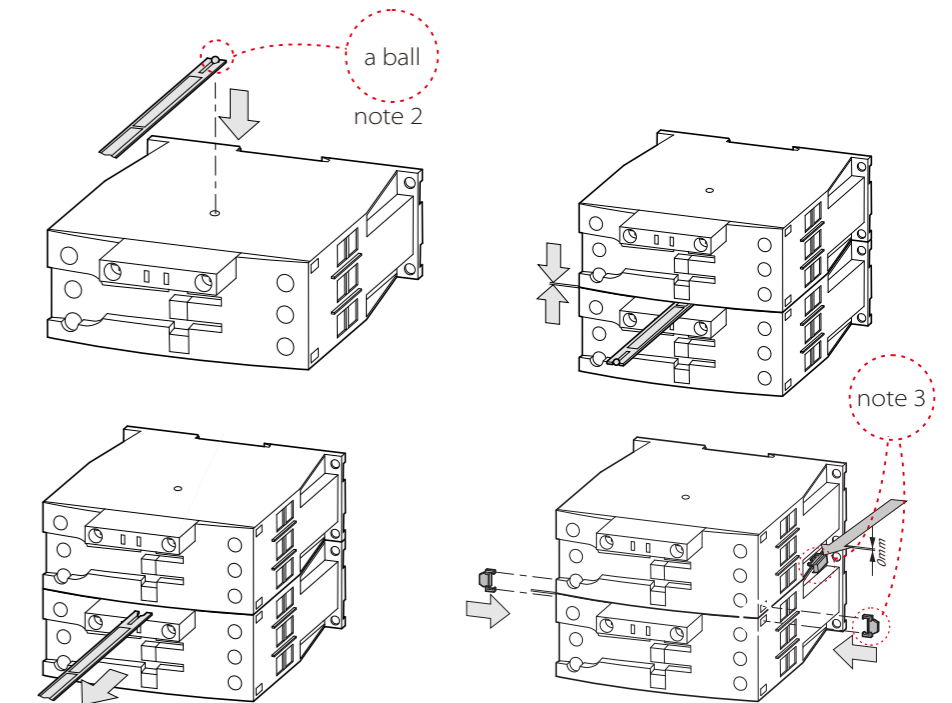
Note1: Please lock tightly.



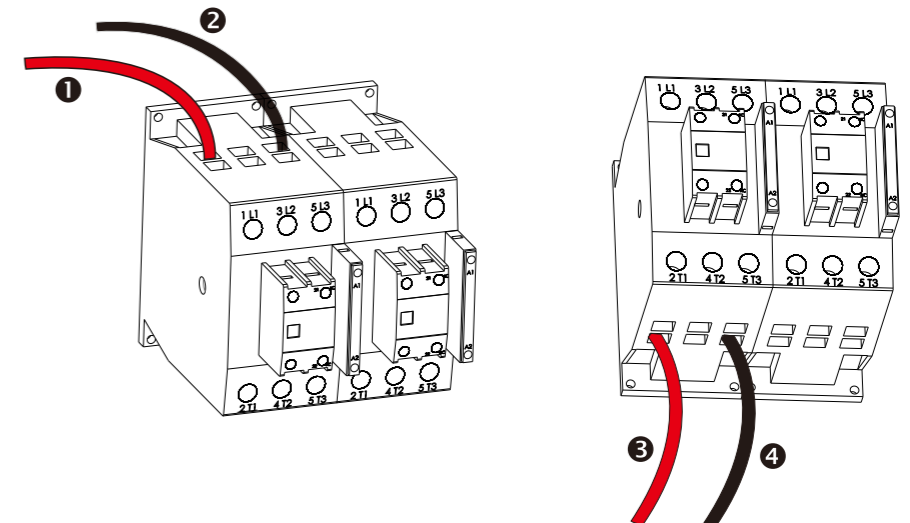
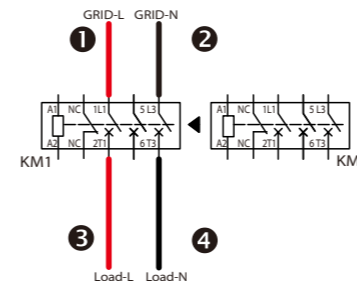
Step2: Install mechanical locks.

Note2: Put the ball into the slot of two contact surfaces.

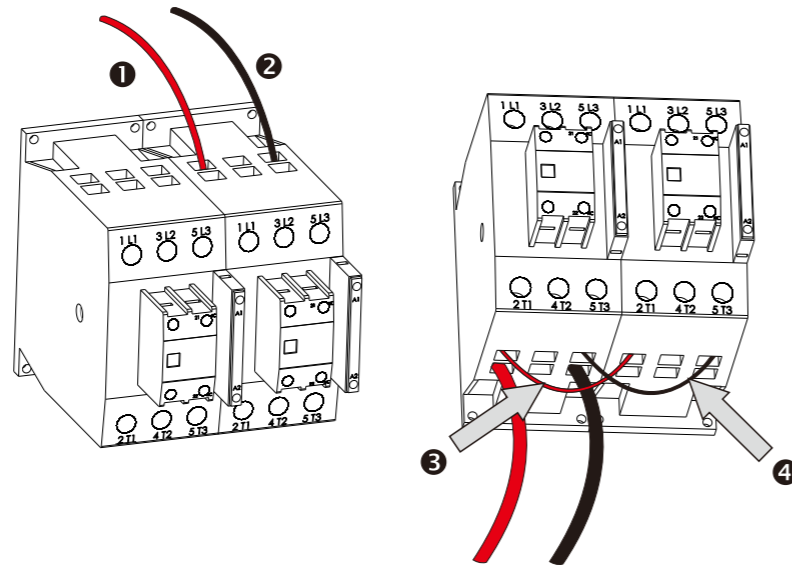
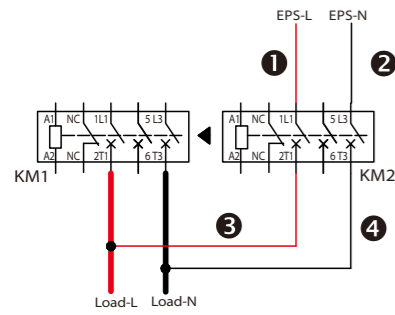
Note3: Lock two contactors together with accessories.



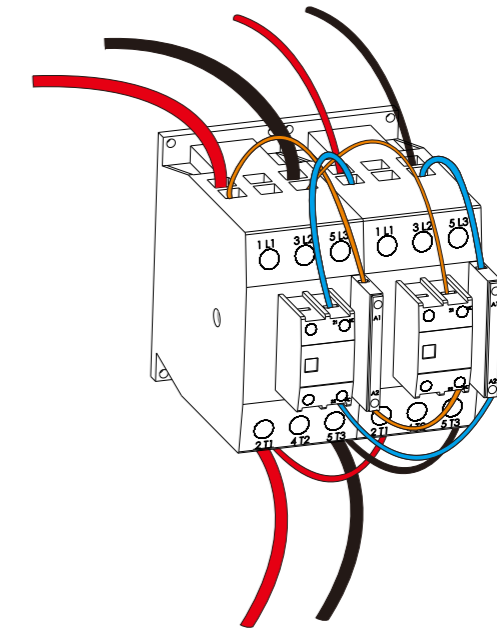
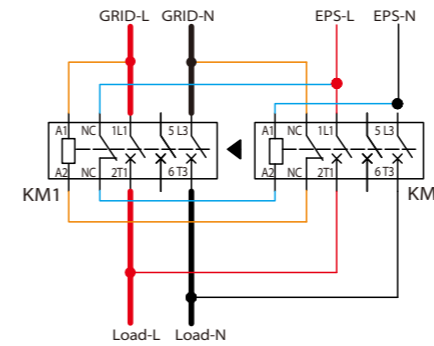
Step3: Connect grid input and load output to contactor with cable(6 AWG)



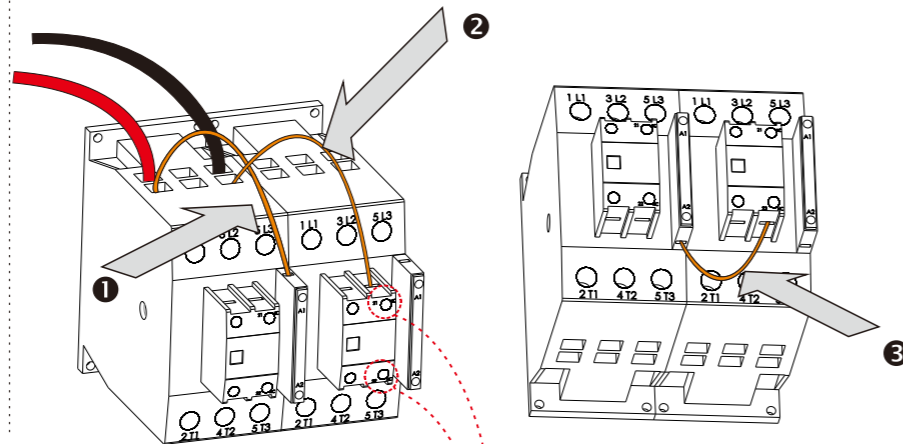
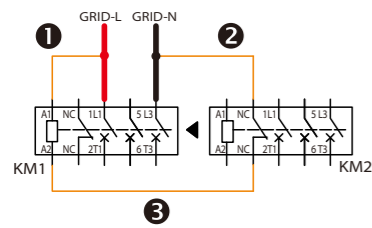
Step4: Connect EPS input and EPS output to contactor with cable(10/12 AWG)



Overview of Connection



Step5: Connect two sets of coils and two auxiliary contacts in series respectively with cable(12 AWG).



Note4: NC portal as terminal.

