

# ➤ Pitched Tin Roof Mounting

Uisolar Pitched Tin roof mounting is designed with great flexibility for both commercial and residential roof solar systems. Patented and Innovative Rail design, standard components, Highly pre-assembled clamps, all the above make the installation simple. Save your time and your installation cost.

Advantages:

1. Lower cost, Incomparable value ;
2. Faster installation, Flexible attachment;
3. More perfect service, Complete technical support.



## ■ Brief Introduction

- Installation Site: Pitched Tin Roof
- Max. Building Height: up to 65ft(22m), customized available;
- Max. Wind Speed: **60** m/s;
- Snow Load: **1.4** KN/m<sup>2</sup>
- Material: Aluminum 6005-T5 & Stainless Steel 304;
- Warranty: **10** years warranty; **25** years service life.

## ■ Components Parts

 <p><b>UI-C</b>                  ◆ Description                  Mid clamp, Al 6005-T5&amp; SUS 304                  ◆Function                  Fix panel on the rail in the inner part</p>	 <p><b>UI-EC</b>                  ◆ Description                  End clamp, Al 6005-T5&amp; SUS 304                  ◆Function                  Fix panel on the rail at the end of panel</p>
 <p><b>UI-IK-L</b>                  ◆ Description                  L feet, Al6005-T5                  ◆Function                  Fix the rail to the beam</p>	 <p><b>UI-R</b>                  ◆ Description                  Rail: Extruded Aluminum Profile, Al6005-T5                  2560mm, 3405mm and 4200mm are the standard size                  ◆Function                  The frame supports the solar panel</p>

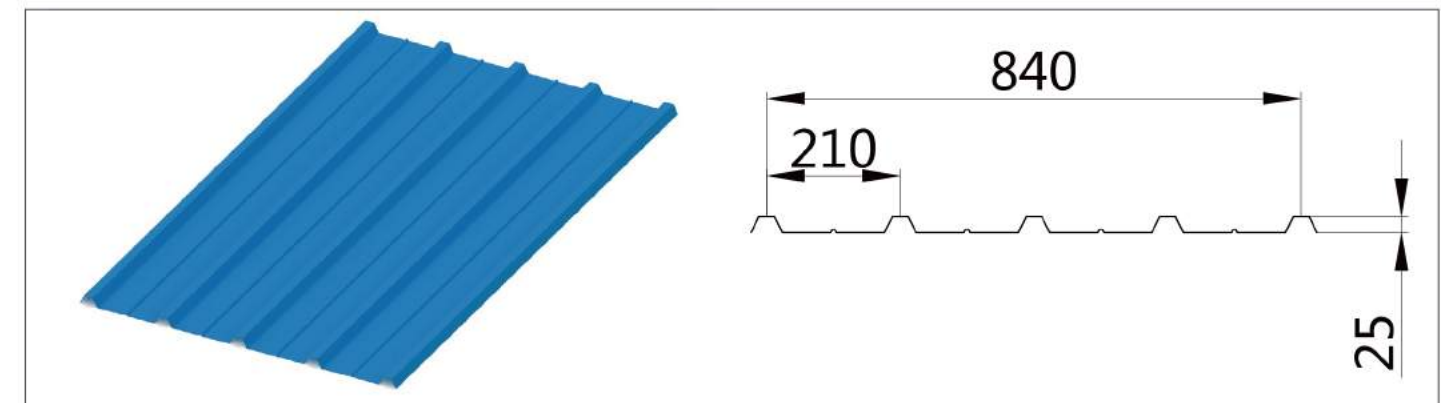
## ■ Other related Hook



## ■ Different types of connection



## ■ Application Roof



## ■ Brief Installation Guide

